

SOUTHERN CALIFORNIA FOOTBALL OFFICIALS ASSOCIATION



**FOOTBALL OFFICIATING  
JUDGMENT  
COMMON SENSE**

**Back Judge Presentation**

JIM FARMER

**SCCFOA CLINIC**

**AZUSA PACIFIC UNIVERSITY**



**SUNDAY 19 AUGUST 2007**

**SCCFOA DIVISION I - BACK JUDGES**

GREG WILSON – PACIFIC 10 & MOUNTAIN WEST CONFERENCE

BOB WUCETICH – MOUNTAIN WEST CONFERENCE

SHAWN HOCHULI – WESTERN ATHLETIC CONFERENCE

TODD PRUKOP – BIG SKY CONFERENCE

JIM FARMER – BIG SKY CONFERENCE

CAL EVANS – WCFOA

PAUL CALDERA – WCFOA

JOHN DOWNING – WCFOA

## COMMON SENSE



THERE IS  
NOTHING  
COMMON  
ABOUT  
COMMON SENSE

## POINTS OF EMPHASIS



### PROTECTION OF DEFENSELESS PLAYERS

- Due to the combative nature of the game, players are usually alert and aware of legal contacts by opponents. Therefore, injuries are minimized.
- However, certain aspects of the play require a higher level of concentration. The resulting vulnerability places players involved in these aspects in an unprotected (defenseless) status.
- There remains the additional penalty of disqualification for flagrant fouls while denying a player an unimpeded opportunity to catch a kick.

## POINTS OF EMPHASIS



### PROTECTION OF DEFENSELESS PLAYERS

The following are situations in which defenseless players are susceptible to serious injury.

- The quarterback moving down the line of scrimmage who has handed or pitched the ball to a teammate, and then makes no attempt to participate further in the play.
- The kicker who is in the act of kicking the ball, or who has not had a reasonable length of time to regain his balance following the kick.
- The passer who is in the act of passing the ball, or who has not had a reasonable length of time to participate in the play again after releasing the ball.

## POINTS OF EMPHASIS



### PROTECTION OF DEFENSELESS PLAYERS

- The pass receiver whose concentration is on the ball.
- The pass receiver who has clearly relaxed when the pass is no longer catchable.
- The kick receiver whose attention is on the downward flight of the ball.
- The kick receiver who has just touched the ball.
- The player who has relaxed once the ball has become dead.
- The player who is obviously out of the play.

## POINTS OF EMPHASIS



### PROTECTION OF DEFENSELESS PLAYERS

- These players are protected by rules that have been in place for many years. It is of the utmost importance that participants, coaches and game officials carefully and diligently observe safety rules.
- Intentional helmet-to-helmet contact is never legal, nor is any other blow directed toward an opponent's head. Flagrant offenders shall be disqualified. Additionally, the committee altered Rules 9-1-2-I and n slightly to encourage officials to penalize head-down contact and leading with the crown of the helmet when tackling.

### BE A GREAT DEADBALL OFFICIAL

## DEFENSIVE PASS INTERFERENCE



- Early contact by a defender who is not playing the ball and such contact restricts the receiver's opportunity to make the catch.
- Playing through the back of a receiver in an attempt to make a play on the ball.
- Grabbing a receiver's arm(s) in such a manner that restricts his opportunity to catch a pass.
- Extending an arm across the body of a receiver thus restricting his ability to catch a pass, regardless of the fact of whether or not the defender is playing the ball.
- Cutting off the path of receiver by making contact with him without playing the ball.
- Hooking a receiver in an attempt to get the ball in such a manner that it causes the receiver's body to turn prior to the ball arriving.
- Playing through the back of a receiver in an attempt to make a play on the ball.

## NOT DEFENSIVE PASS INTERFERENCE



Actions that do not constitute defensive pass interference include but are not limited to:

- Incidental contact by a defender's hands, arm or body when both players are competing for the ball, or neither player is looking for the ball. If there is any question whether contact is incidental the ruling shall be no interference.
- Inadvertent tangling of feet when both players are playing the ball or neither player is playing the ball.
- Contact that would normally be considered pass interference, but the pass is *clearly* uncatchable by the involved players.
- Laying a hand on a receiver in an attempt to make a play on the ball that does not restrict the receiver.

## OFFENSIVE PASS INTERFERENCE



Actions that constitute offensive pass interference include but are not limited to:

- Initiating contact with a defender by shoving or pushing off thus creating a separation in an attempt to catch a pass.
- Driving through a defender who has established a position on the field.
- If the pass has not been thrown and the block occurs anywhere downfield, call OPI if the pass crosses the LOS.
- OPI for blocking downfield can be called even if the passer is legally grounding the ball.
- A catchable pass is one of the requirements to have OPI on a thrown ball.
- Both feet of the offensive player must be beyond one yard of the LOS for OPI to be called if all other criteria are met.

## NOT OFFENSIVE PASS INTERFERENCE



Actions that do not constitute offensive pass interference include but are not limited to:

- Incidental contact by a receiver's hands, arms or body when both players are competing for the ball, or neither player is looking for the ball.
- Inadvertent tangling of feet when both players are playing the ball or neither player is playing the ball.
- Contact that would normally be considered pass interference, but the ball is *clearly* uncatchable by involved players.
- OPI will not be called on a screen pass where the ball is overthrown behind the LOS but subsequently lands beyond the LOS and linemen are blocking downfield, unless such blocking prevents a defensive player from catching the call
- On a look-in pass where contact is shoulder to shoulder.

## CATCH / NO CATCH



- To be ruled a catch the receiver must be able to perform an act common to football. It is the same in the end zone and in the field of play.
- Be definite on catch before ruling catch-fumble ruling. If close rule the pass incomplete. *No cheap fumbles!*
- If no official sees that the ball has hit the ground, rule the pass complete.
- **CATCH** – If the ball touches the ground in the receiver's hands, any loss of control of the ball makes the pass incomplete; if there is no loss of control after contact with the ground **IT IS A CATCH**

## CATCH / NO CATCH



- The ground cannot cause a fumble, but it can cause an incomplection.
- If the runner is being held by only one player, let it play. If he is held by two or more, rule forward progress stopped.

## KICKING GAME

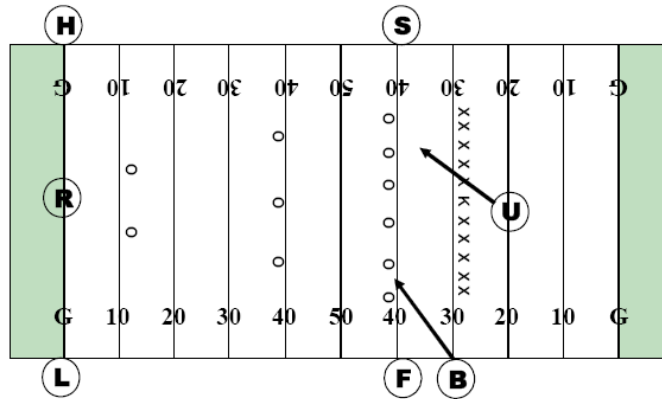


- The kicker's restraining line on onside and short pooch kick-offs will be officiated as a plane. If any player (other than the kicker) breaks the plane before the ball is kicked offside will be called. For DEEP kick-offs we will also use a plane but do NOT be to technical.

# BACK JUDGE BASIC POSITIONING



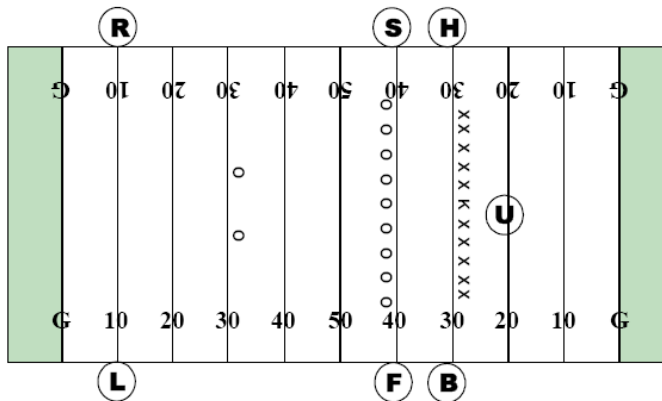
## BASIC FREE KICK POSITION



# BACK JUDGE BASIC POSITIONING



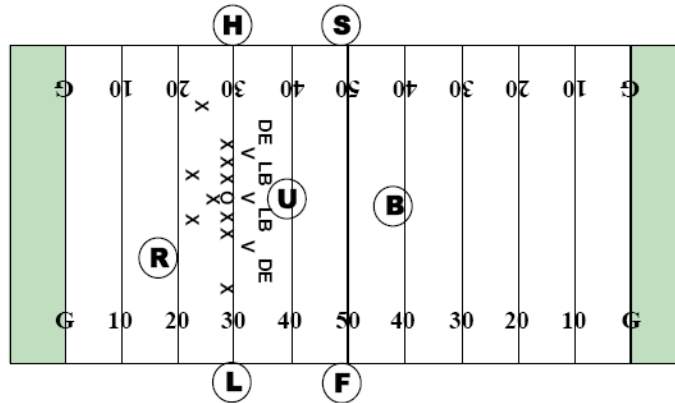
## SHORT FREE KICK POSITION



# BACK JUDGE BASIC POSITIONING



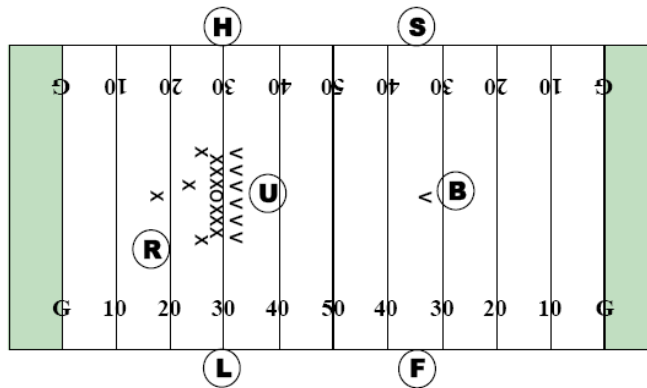
## BASIC SCRIMMAGE POSITION



# BACK JUDGE BASIC POSITIONING



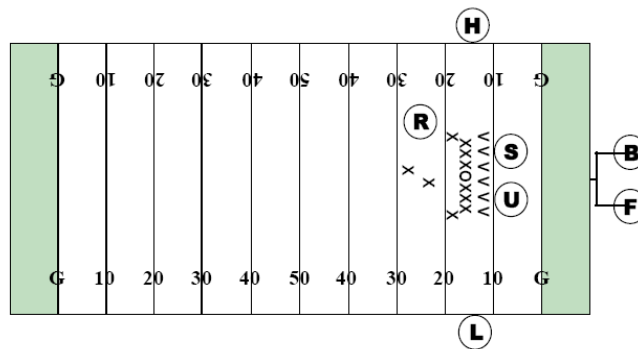
## PUNT POSITION



# BACK JUDGE BASIC POSITIONING



## FIELD GOAL and TRY FOR POINT POSITION



# GET THE PLAY RIGHT



## THREE THINGS RUIN A FOOTBALL GAME . . .

- FIGHTS
- INJURIES
- EXCESSIVE PENALTIES

*DO WHATEVER IT TAKES  
-- PREVENTIVE OFFICIATING --*

**HAVE A GREAT SEASON!**